

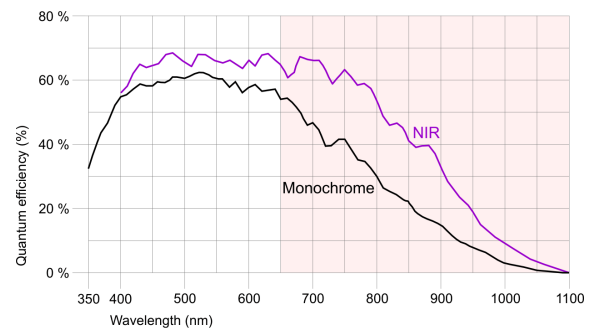
UI-5240RE-M-GL Rev.2



Specification

Sensor

Sensor Technology	CMOS Mono
Manufacturer	e2v
Resolution (MPix)	1.00
Resolution (h x v)	1280 x 1024
ADC	10 bit
Color depth (camera)	12 bit
Pixel Class	1.x MP
Sensor Size	1/1.8
Shutter	Rolling shutter/Global shutter/Global start shutter
max. fps in Freerun Mode	50.0
Binning Modes	M/C automatic
Subsampling Modes	-
Sensor Model	EV76C560ABT
Pixel size	5.3 μm
Optical Size	6.784 mm x 5.427 mm
Optical sensor diagonal	8.69 mm (1/1.84")



Design

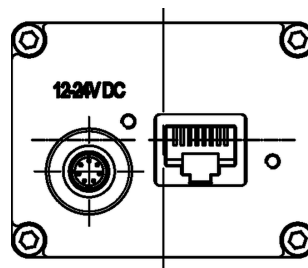
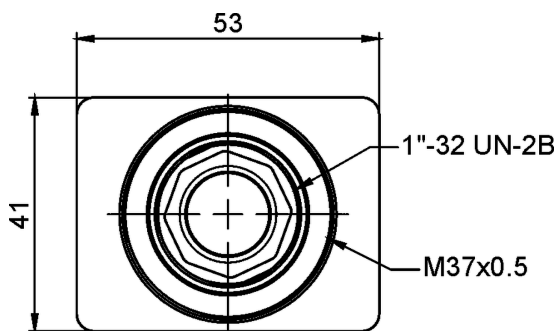
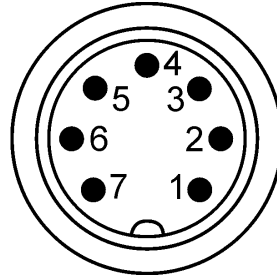
Interface	GigE
Lens Mount	C-Mount
I/O In	1 x optodecoupled
I/O Out	1 x optodecoupled
I/O RS-232	-
I/O GPIO	-
I/O I ² C	-
IP code	IP65/67
Dimensions H/W/L	41.0 mm x 53.0 mm x 42.7 mm
Mass	175 g
Power supply	12V - 24V

Subject to technical modifications

UI-5240RE-M-GL Rev.2

Pin assignment I/O connector

1	Digital input (+)
2	Power supply (VCC)
3	Shielding
4	Ground (GND)
5	Digital output (+)
6	Digital output (-)
7	Digital input (-)



UI-5240RE-M-GL Rev.2

