

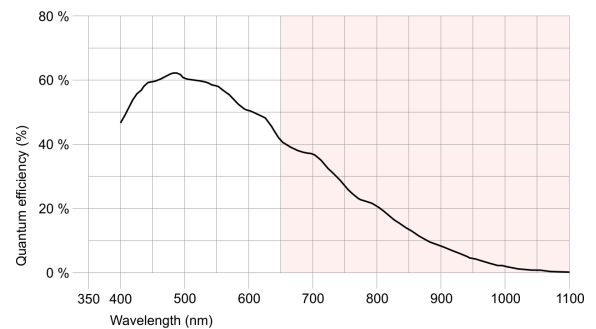
UI-5480RE-M-GL Rev.2



Specification

Sensor

Sensor Technology	CMOS Mono
Manufacturer	Aptina
Resolution (MPix)	5.00
Resolution (h x v)	2560 x 1920
ADC	12 bit
Color depth (camera)	12 bit
Pixel Class	5 MP
Sensor Size	1/2
Shutter	Rolling shutter/Global start shutter
max. fps in Freerun Mode	14.1
Binning Modes	Color
Subsampling Modes	Color
Sensor Model	MT9P031STM
Pixel size	2.2 μ m
Optical Size	5.632 mm x 4.224 mm
Optical sensor diagonal	7.04 mm (1/2.27")



Design

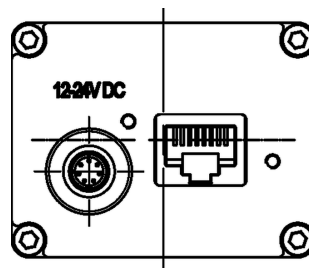
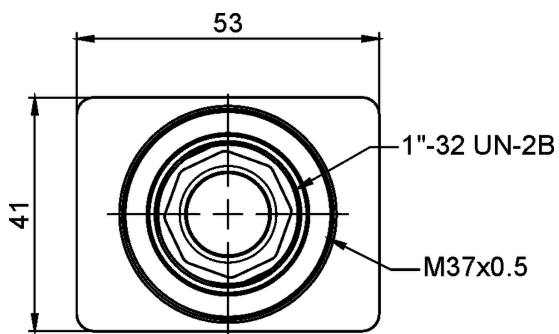
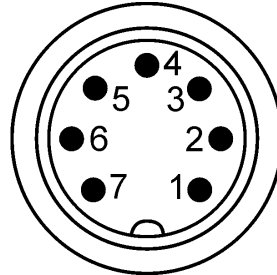
Interface	GigE
Lens Mount	C-Mount
I/O In	1 x optodecoupled
I/O Out	1 x optodecoupled
I/O RS-232	-
I/O GPIO	-
I/O I ² C	-
IP code	IP65/67
Dimensions H/W/L	41.0 mm x 53.0 mm x 42.7 mm
Mass	175 g
Power supply	12V - 24V

Subject to technical modifications

UI-5480RE-M-GL Rev.2

Pin assignment I/O connector

1	Digital input (+)
2	Power supply (VCC)
3	Shielding
4	Ground (GND)
5	Digital output (+)
6	Digital output (-)
7	Digital input (-)



UI-5480RE-M-GL Rev.2

