

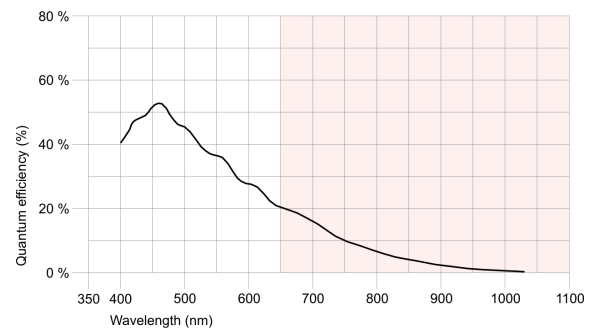
UI-5490RE-M-GL Rev.2



Specification

Sensor

Sensor Technology	CMOS Mono
Manufacturer	Aptina
Resolution (MPix)	10.00
Resolution (h x v)	3840 x 2748
ADC	12 bit
Color depth (camera)	12 bit
Pixel Class	10 MP
Sensor Size	1/2
Shutter	Rolling shutter
max. fps in Freerun Mode	6.1
Binning Modes	Color
Subsampling Modes	Color
Sensor Model	MT9J003STM
Pixel size	1.67 μm
Optical Size	6.413 mm x 4.589 mm
Optical sensor diagonal	7.89 mm (1/2.03")



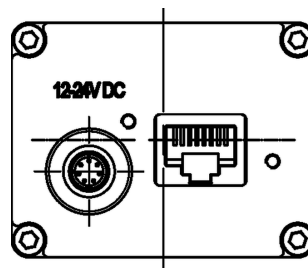
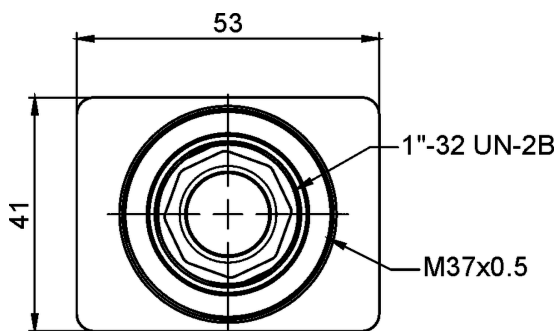
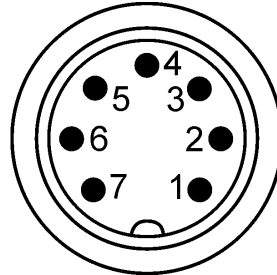
Design

Interface	GigE
Lens Mount	C-Mount
I/O In	1 x optodecoupled
I/O Out	1 x optodecoupled
I/O RS-232	-
I/O GPIO	-
I/O I ² C	-
IP code	IP65/67
Dimensions H/W/L	41.0 mm x 53.0 mm x 42.7 mm
Mass	175 g
Power supply	12V - 24V

Subject to technical modifications

Pin assignment I/O connector

1	Digital input (+)
2	Power supply (VCC)
3	Shielding
4	Ground (GND)
5	Digital output (+)
6	Digital output (-)
7	Digital input (-)



UI-5490RE-M-GL Rev.2

