

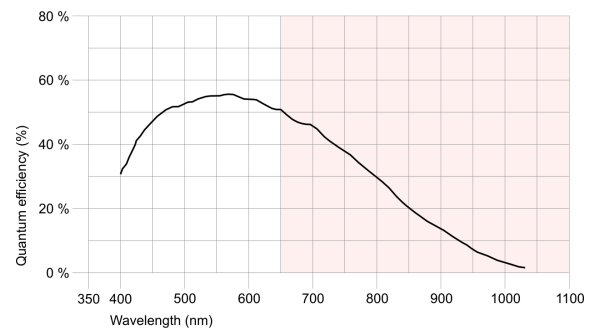
## UI-5540RE-M-GL Rev.2



## Specification

### Sensor

Sensor Technology	CMOS Mono
Manufacturer	Aptina
Resolution (MPix)	1.00
Resolution (h x v)	1280 x 1024
ADC	10 bit
Color depth (camera)	12 bit
Pixel Class	1.x MP
Sensor Size	1/2
Shutter	Rolling shutter
max. fps in Freerun Mode	35.5
Binning Modes	-
Subsampling Modes	Color
Sensor Model	MT9M001STM
Pixel size	5.2 µm
Optical Size	6.656 mm x 5.325 mm
Optical sensor diagonal	8.52 mm (1/1.88")



### Design

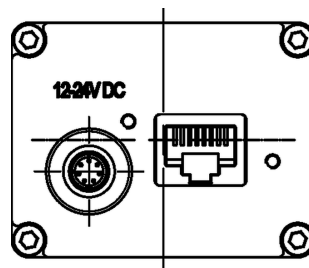
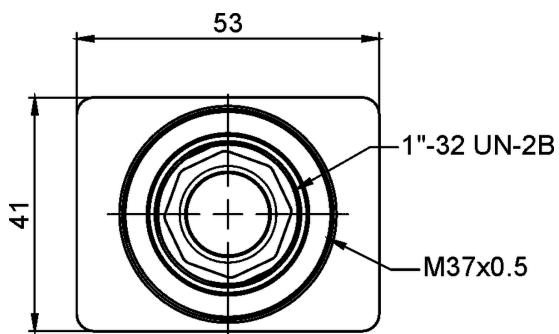
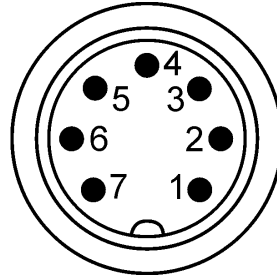
Interface	GigE
Lens Mount	C-Mount
I/O In	1 x optodecoupled
I/O Out	1 x optodecoupled
I/O RS-232	-
I/O GPIO	-
I/O I <sup>2</sup> C	-
IP code	IP65/67
Dimensions H/W/L	41.0 mm x 53.0 mm x 42.7 mm
Mass	175 g
Power supply	12V - 24V

Subject to technical modifications

## UI-5540RE-M-GL Rev.2

### Pin assignment I/O connector

1	Digital input (+)
2	Power supply (VCC)
3	Shielding
4	Ground (GND)
5	Digital output (+)
6	Digital output (-)
7	Digital input (-)



## UI-5540RE-M-GL Rev.2

