

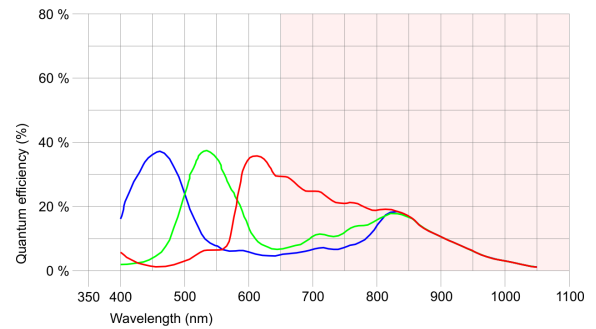
UI-5550RE-C-HQ Rev.2



Specification

Sensor

Sensor Technology	CMOS Color
Manufacturer	Aptina
Resolution (MPix)	2.00
Resolution (h x v)	1600 x 1200
ADC	8 bit
Color depth (camera)	12 bit
Pixel Class	2 MP
Sensor Size	1/3"
Shutter	Rolling shutter
max. fps in Freerun Mode	23.8
Binning Modes	Color
Subsampling Modes	Color
Sensor Model	MT9D131STC
Pixel size	2.8 µm
Optical Size	4.480 mm x 3.360 mm
Optical sensor diagonal	5.6 mm (1/2.86")



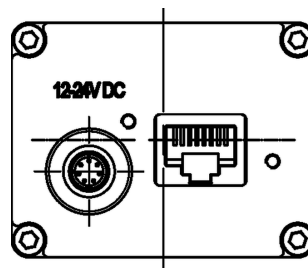
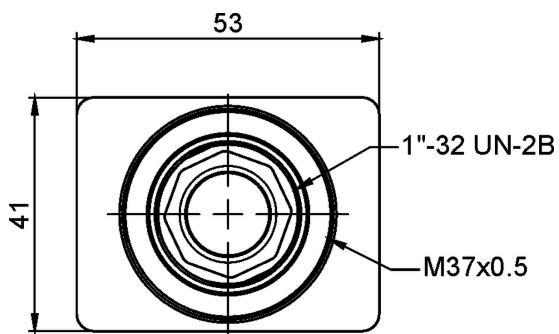
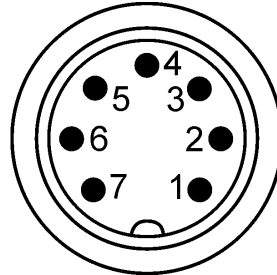
Design

Interface	GigE
Lens Mount	C-Mount
I/O In	1 x optodecoupled
I/O Out	1 x optodecoupled
I/O RS-232	-
I/O GPIO	-
I/O I ² C	-
IP code	IP65/67
Dimensions H/W/L	41.0 mm x 53.0 mm x 42.7 mm
Mass	175 g
Power supply	12V - 24V

Subject to technical modifications

Pin assignment I/O connector

1	Digital input (+)
2	Power supply (VCC)
3	Shielding
4	Ground (GND)
5	Digital output (+)
6	Digital output (-)
7	Digital input (-)



UI-5550RE-C-HQ Rev.2

