

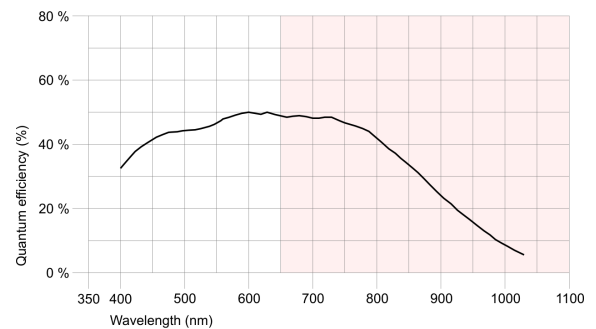
UI-5220CP-M-GL



Specification

Sensor

Sensor Technology	CMOS Mono
Manufacturer	Aptina
Resolution (MPix)	0.36
Resolution (h x v)	752 x 480
ADC	10 bit
Color depth (camera)	12 bit
Pixel Class	WVGA
Sensor Size	1/3"
Shutter	Global shutter
max. fps in Freerun Mode	100.2
Binning Modes	Mono
Subsampling Modes	-
Sensor Model	MT9V032C12STM
Pixel size	6 µm
Optical Size	4.512 mm x 2.880 mm
Optical sensor diagonal	5.35 mm (1/2.99")



Design

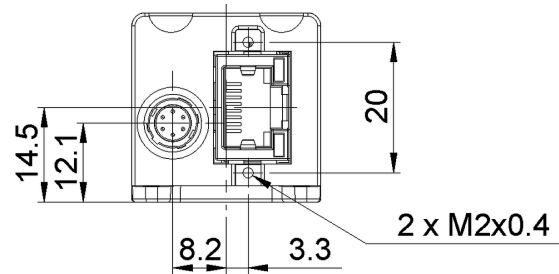
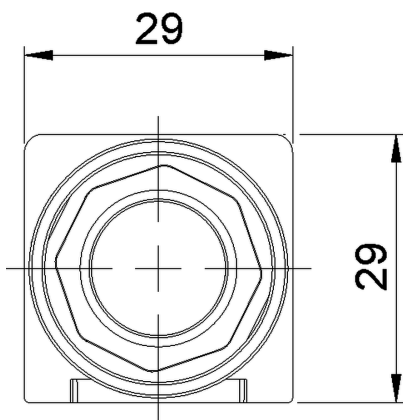
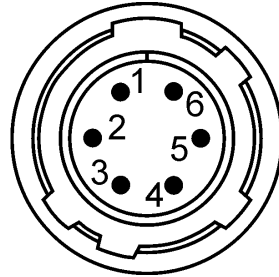
Interface	GigE
Lens Mount	C-Mount
I/O In	1 x optodecoupled
I/O Out	1 x optodecoupled
I/O RS-232	-
I/O GPIO	-
I/O I ² C	-
IP code	IP30
Dimensions H/W/L	29.0 mm x 29.0 mm x 40.5 mm
Mass	61 g
Power supply	12V - 24V or PoE

Subject to technical modifications

UI-5220CP-M-GL

Pin assignment I/O connector

1	Ground (GND)
2	Power supply (VCC) 12-24V
3	Digital input (-)
4	Digital input (+)
5	Digital output (+)
6	Digital output (-)



UI-5220CP-M-GL

