

JZ10100R

Image Size: $\frac{2}{3}$ $\frac{1}{2}$ $\frac{1}{3}$ $\frac{1}{4}$

[SPECIFICATIONS]

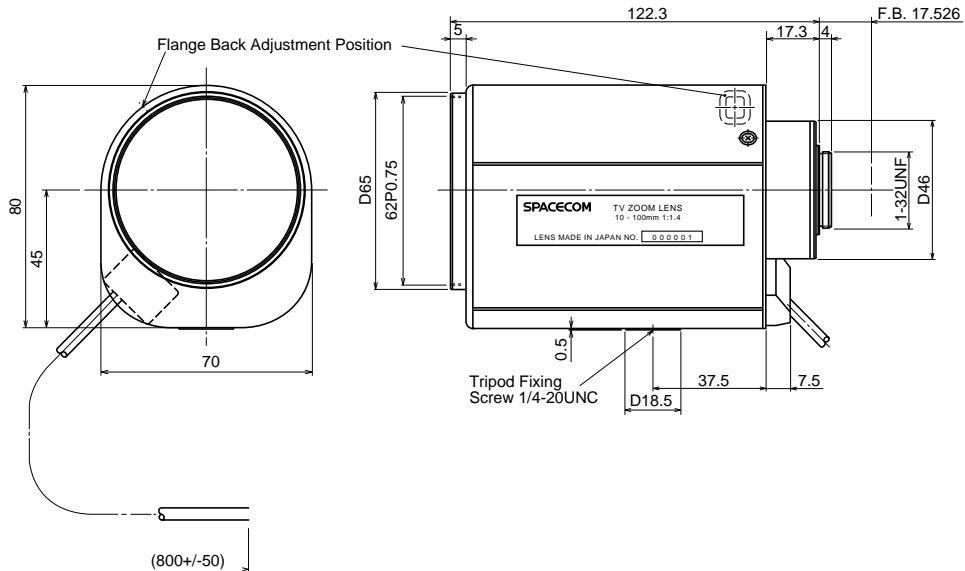
Focal Length : 10 - 100mm
 Maximum Relative Aperture : 1:1.4
 Iris : F1.4 - Close
 Zoom Ratio : 10X
 Angular Field of View : 47.5 X36.5 deg. at 10mm
 5.0 X 3.8 deg. at 100mm
 Image Format : 8.8X6.6mm(D11mm)
 Minimum Object Distance : 1.2m(From Front Vertex)
 Object Dimensions at M.O.D. : 105.6X79.1cm at 10mm
 10.5X 8.0cm at 100mm
 Optical Back Focal Distance : 14.69mm(In Air)

Flange Back : 17.526mm
 Operation : Zoom : Motorized(DC+/-6.4V, Max40mA)
 Speed Approx. 6sec.
 Focus : Motorized(DC+/-6.4V, Max40mA)
 Speed Approx. 7sec.
 Iris : Motorized(DC+/-6.4V, Max40mA)
 Speed Approx. 3.5sec.
 Operation Temperature : -10 to +50
 Mount : C-Mount(Adjustable Lens Position)
 Front Thread : 62mm P0.75
 Size, Weight : 80X70X122.3mm, Approx. 700g

[COMPOSITION]

- Lens1
- Lens Cap1
- Dust Cap1

[DIMENSIONS]



[CIRCUIT DIAGRAM]

