

H30Z1015AMS

30X 10~300 mm F1.5
for 1/2" format. cameras
C-Mount

Model No.	H30Z1015AMS		Effective	Front	φ 94 mm
Focal Length	10~300mm		Lens Aperture	Rear	φ 14.8mm
Max. Aperture Ratio	1 : 1.5		Back Focal Length	15.8 mm	
Max. Image Format	6.4 x 4.8mm (φ8mm)		Flange Back Length	17.526 mm	
Operation Range	Iris	F1.5 ~	Mount	C-Mount	
	Focus	2.2m ~ Inf.	Filter Size	M100 P=1 mm	
	Zoom	10~300mm	Tripod Screw	1/4"-20UNC	
Control	Iris	Auto Iris(by galvanometer)	Dimensions	W125 x H144.5 x D246.5mm	
	Focus	Motorized	Weight	g	
	Zoom	Motorized			
Object Dimension at M.O.D.	10mm	70.4 x 52.3cm			
	300mm	2.4 x 1.8cm			
Angle of View	D	44.0~1.55°			
	H	1/2" 35.5~1.25°			
	V	26.8~0.94°			
Control	Iris	Focus	Zoom		
Supply Voltage	DC8.5 ~ 16V	DC8V	DC8V		
Current	40mA or less	140mA or less	50mA or less		
Response Time	Approx. 2 sec.	Approx. 2 sec.	Approx. 3 sec.		
Preset Potentiometer	-		-		
Light Weighting Method	Adjustable between Average - Peak (to be set at Average at factory)				
Remote Control	Level Remote/ALC Remote				
Input Signal	Video Signal (V or VS)				
Iris Accuracy	±15 % at Video Signal Level				
Sensitivity Adjustment	0.5~1.0Vp-p (Video Signal)				
Input Impedance	High Impedance				
Operating Temperature	-10 ~ +50°C				

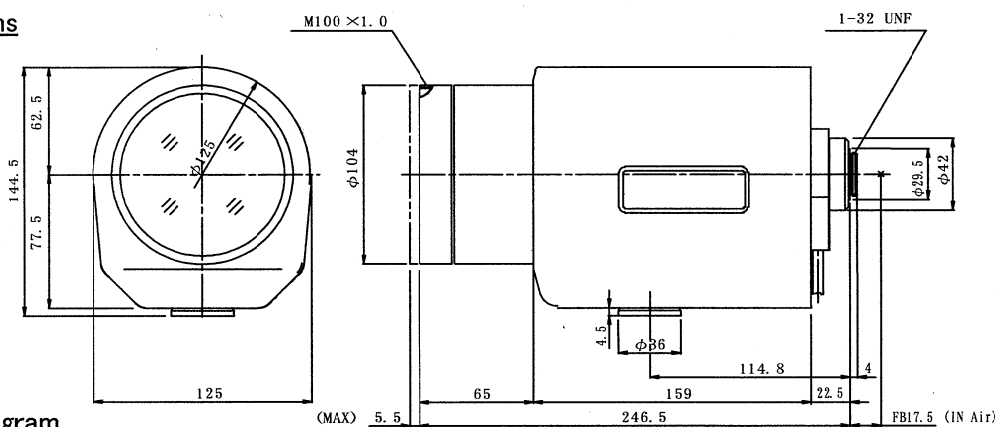
1/2

C

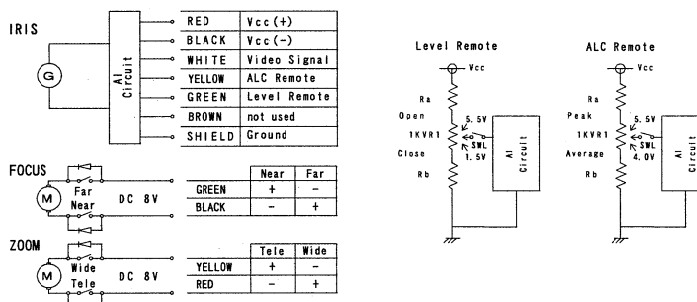
ZA

M.O.D. : Minimum Object Distance

Dimensions



Wiring Diagram



Remarks: Connect together with Black(Focus)and Red(Zoom) for common system when necessary.