

# JZ1169R

Image Size:  $\frac{2}{3}$   $\frac{1}{2}$   $\frac{1}{3}$   $\frac{1}{4}$

## [SPECIFICATIONS]

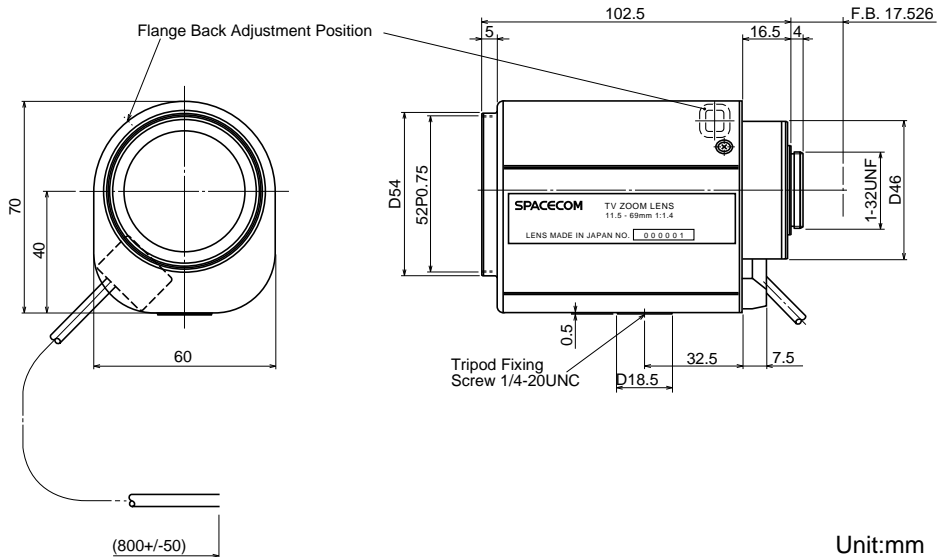
Focal Length : 11.5 - 69mm  
 Maximum Relative Aperture : 1:1.4  
 Iris : F1.4 - Close  
 Zoom Ratio : 6X  
 Angular Field of View : 41.9 X32.0 deg. at 11.5mm  
 7.3 X 5.5 deg. at 69mm  
 Image Format : 8.8X6.6mm(D11mm)  
 Minimum Object Distance : 1.0m(From Front Vertex)  
 Object Dimensions at M.O.D. : 72.8X54.6cm at 11.5mm  
 12.8X 9.6cm at 69mm  
 Optical Back Focal Distance : 17.93mm(In Air)

Flange Back : 17.526mm  
 Operation : Zoom : Motorized(DC+/-6.4V, Max40mA)  
 Speed Approx. 6sec.  
 Focus : Motorized(DC+/-6.4V, Max40mA)  
 Speed Approx. 7sec.  
 Iris : Motorized(DC+/-6.4V, Max40mA)  
 Speed Approx. 3.5sec.  
 Operation Temperature : -10 to +50  
 Mount : C-Mount(Adjustable Lens Position)  
 Front Thread : 52mm P0.75  
 Size, Weight : 70X60X102.5mm, Approx. 500g

## [COMPOSITION]

Lens .....1  
 Lens Cap .....1  
 Dust Cap .....1

## [DIMENSIONS]



## [CIRCUIT DIAGRAM]

