

HF12M-2

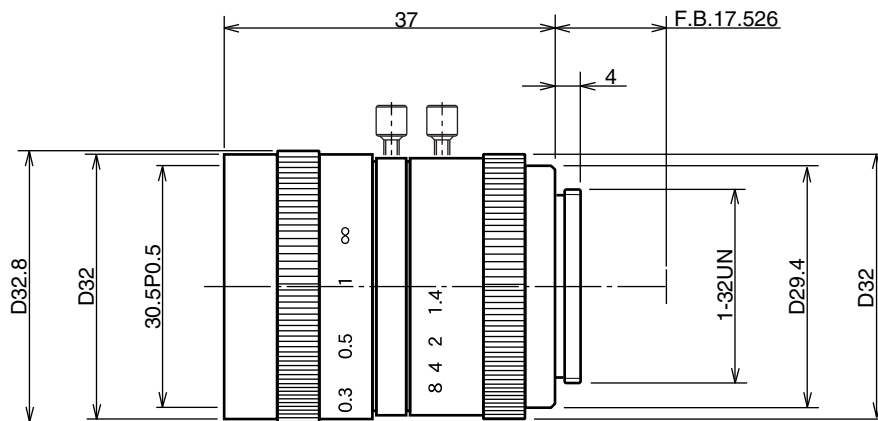
[SPECIFICATIONS]

Focal Length :	12mm	Flange Back :	17.526mm
Maximum Relative Aperture :	1:1.4	Operation :	Focus : Manual Iris : Manual
Iris :	F1.4 - Close	Operation Temperature :	-10 to +50
Angular Field of View :	29.9 X22.6deg.	Mount :	C-Mount
Image Format :	6.4X4.8mm(D8mm)	Front Thread :	30.5mm P0.5
Minimum Object Distance :	0.3m(From Front Vertex)	Size, Weight :	D32.88X37mm, Approx. 90g
Object Dimensions at M.O.D. :	17.1X13.1cm		
Optical Back Focal Distance :	13.87mm(In Air)		

[COMPOSITION]

- Lens1
- Lens Cap1
- Dust Cap1

[DIMENSIONS]



Unit:mm