

# Tokina

## MONOFOCAL LENS

**TOKINA Co.,Ltd.**

Security Products Division

120-4 NOZUTA-MACHI, MACHIDA-SHI,

TOKYO, 195-0063 JAPAN

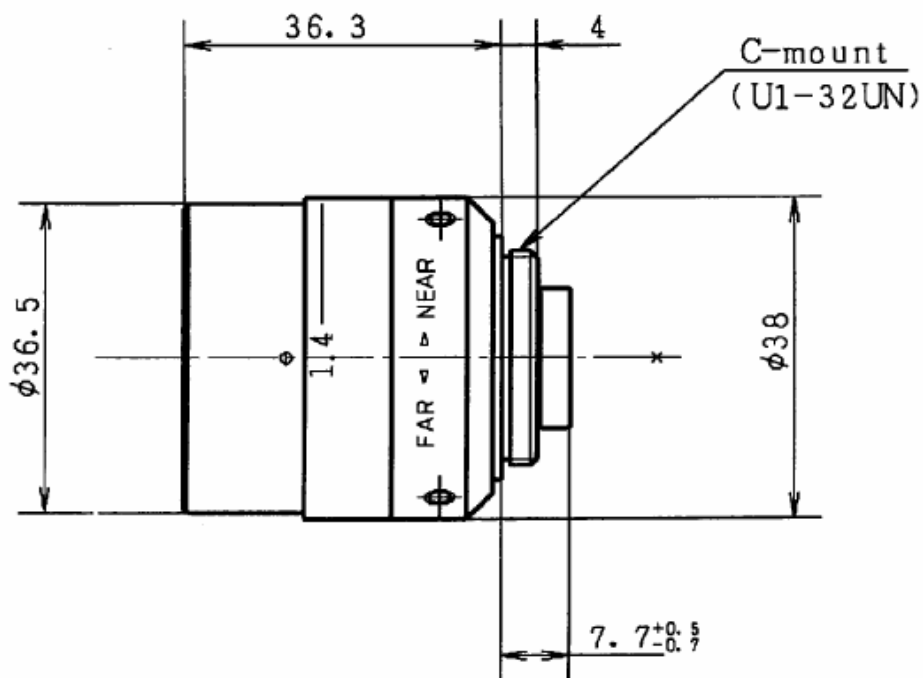
TEL:+81-42-734-8912 FAX:+81-42-735-1463

E-mail:cctv@tokina.co.jp

### TC1214 f=12mm F1:1.4 MANUAL IRIS

#### SPECIFICATION

MODEL NUMBER		TC1214
IMAGE FORMAT		1/2inch
FOCAL LENGTH		12mm
MAXIMUM APERTURE		F1:1.4
APERTURE RATIO		F1:1.4-C
M.O.D.		0.3m
ANGLE OF VIEW	DIAGONAL	39.3°
	HORIZONTAL	31.4°
	VERTICAL	23.6°
FILTER SIZE		-
DIMENSIONS		φ 38.0×D36.3mm
WEIGHT		75g
OPERATING TEMPERATURE RANGE		-10°C~45°C
OPERATING HUMIDITY RANGE		30%~70%
MOUNT		C



DESIGN AND SPECIFICATIONS ARE SUBJECT TO CHANGE WITHOUT NOTICE

PRINTED IN JAPAN