

VHV1664M

[SPECIFICATIONS] 1" 2.0MegaPixel VariFocal Lens

Image Size: (1) (2/3)

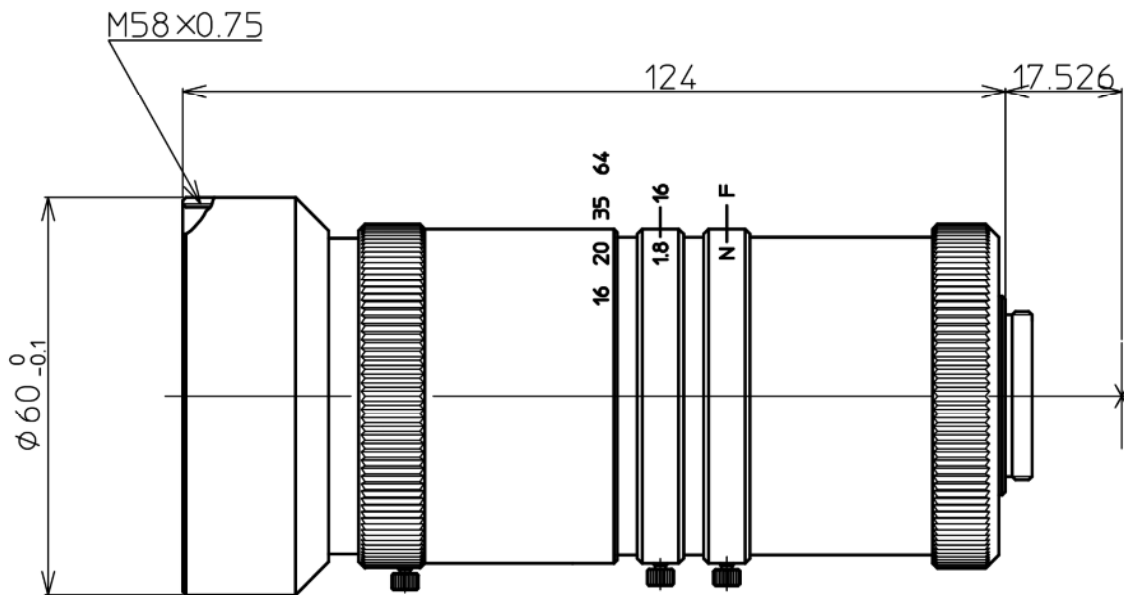
Focal Length :	16-64mm	Flange Back :	17.526mm
Maximum Relative Aperture :	1:1.8	Operation :	Focus : Manual ZOOM : Manual Iris : Manual
Iris :	F1.8 - 16	Operation Temperature :	-10 to +50
Angular Field of View :	45.9 X34.2 deg. at 16mm 11.7 X8.8 deg. at 64mm	Mount :	C-Mount
Image Format :	12.8X9.6mm(D16mm)	Filter Size:	58mm P0.75
Minimum Object Distance :	1m(From Front Vertex)	Size, Weight :	D60mmx124mm Approx. 370g

[COMPOSITION]

Resolution: 4.2 μm(Center) 8 μm(Corner) Distortion: -3.4%(Wide) 0.2%(tele)

- Lens 1
- Lens Cap 1
- Dust Cap 1

[DIMENSIONS]



Unit:mm