

# JF16M

[SPECIFICATIONS]

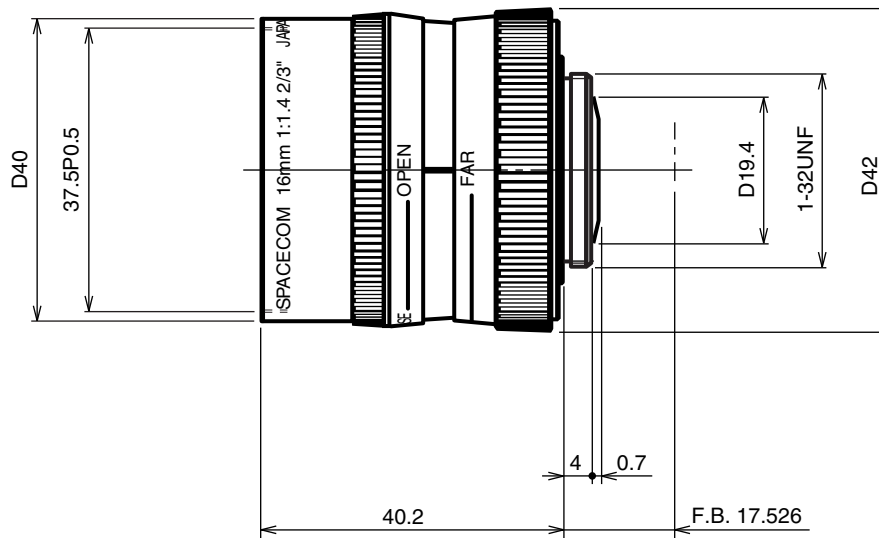
Image Size:  $\frac{2}{3}$   $\frac{1}{2}$   $\frac{1}{3}$   $\frac{1}{4}$

Focal Length :	16mm	Flange Back :	17.526mm
Maximum Relative Aperture :	1:1.4	Operation :	Focus : Manual Iris : Manual
Iris :	F1.4 - Close	Operation Temperature :	-10 to +50
Angular Field of View :	30.7 X23.3 deg.	Mount :	C-Mount
Image Format :	8.8X6.6mm(D11mm)	Front Thread :	37.5mm P0.5
Minimum Object Distance :	0.4m(From Front Vertex)	Size, Weight :	D42X40.2mm, Approx. 65g
Object Dimensions at M.O.D. :	22.7X17.0cm		
Optical Back Focal Distance :	14.20mm(In Air)		

[COMPOSITION]

- Lens .....1
- Lens Cap .....1
- Dust Cap .....1

[DIMENSIONS]



Unit:mm