

TV256DC

【 Spec.】 Aspherical Lens + Wide VariFocal

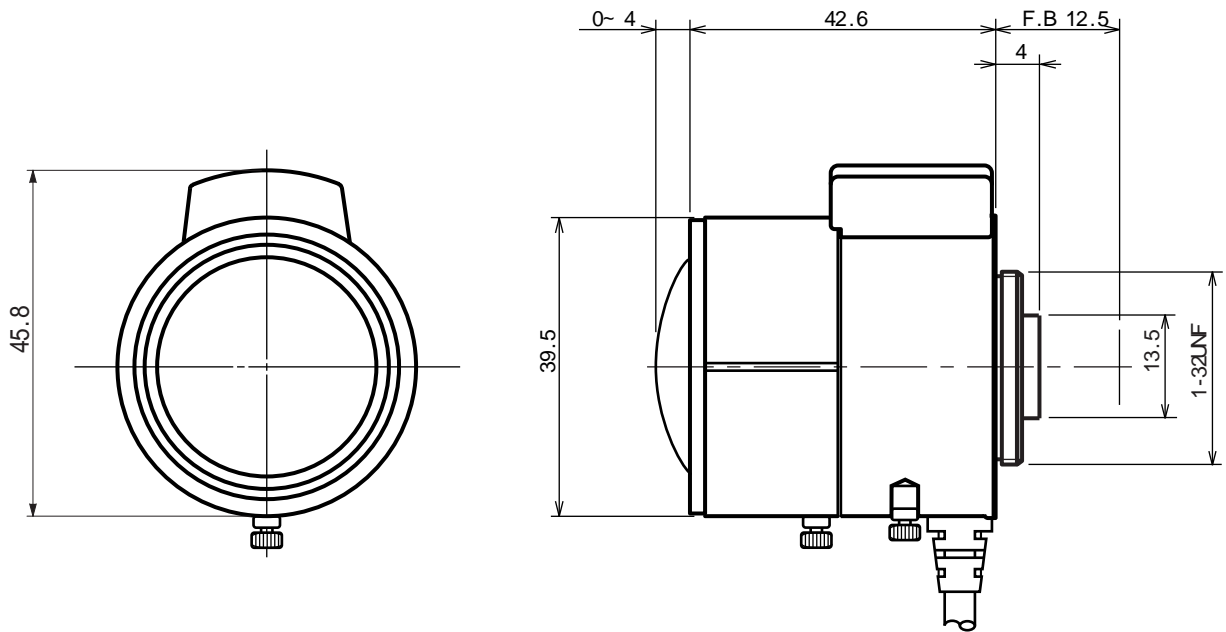
Image Size: $\frac{1}{3}$ $\frac{1}{4}$

Focal Length:	2.5~ 6mm	Operation Voltage:	Close TO Open: Less Than 4V Open TO Close: More Than 0V
Max. Relative Aperture:	1:1.4	Operation:	Focus: Manual Zoom: Manual Iris: IG(Auto Close System)
Iris:	F1.4~ Approx.125 (With ND Filter)	Operation Temperature:	-10~ +50
Angular Field Of View:	at 2.5mm 107.6° × 80.9° at 6mm 45.6° × 34.2°	Mbunt:	CS-Mbunt(Adjustable Lens Position)
Image Format:	4.8x 3.6mm (6mm)	Size,Weight:	39.5x 45.8x 42.6 90g
Minimum Object distance:	0~ 0.2m(From Front Vertex)		
Back Focus:	8.72~ 14.24mm(In Air)		
Frang Back:	12.5mm		

【 Composition】

- Lens · · · · · 1
- Front Cap · · · · · 1
- Dust Cap · · · · · 1

【 Dimensions】



*Cable Length:230mm(w/4pin connector)

Unit:mm

【 Circuit Diagram】

